



# FUSE HOLDERS

## Features:

- Recessed, touch-proof screw terminals and enclosed fuse, ensure personnel safety with or without fuse, in the open or closed position.
- CSA and UL Rated for 30A, 600V maximum.
- Available from stock in 1, 2, 3 or 4 pole versions, with or without neon blown fuse indicator.
- Reliable screw compression clamp accepts up to 10 AWG wire.
- Thermoplastic polyester (UL-VO) insulated body features wide ventilation slots to help dissipate heat from the fuse.



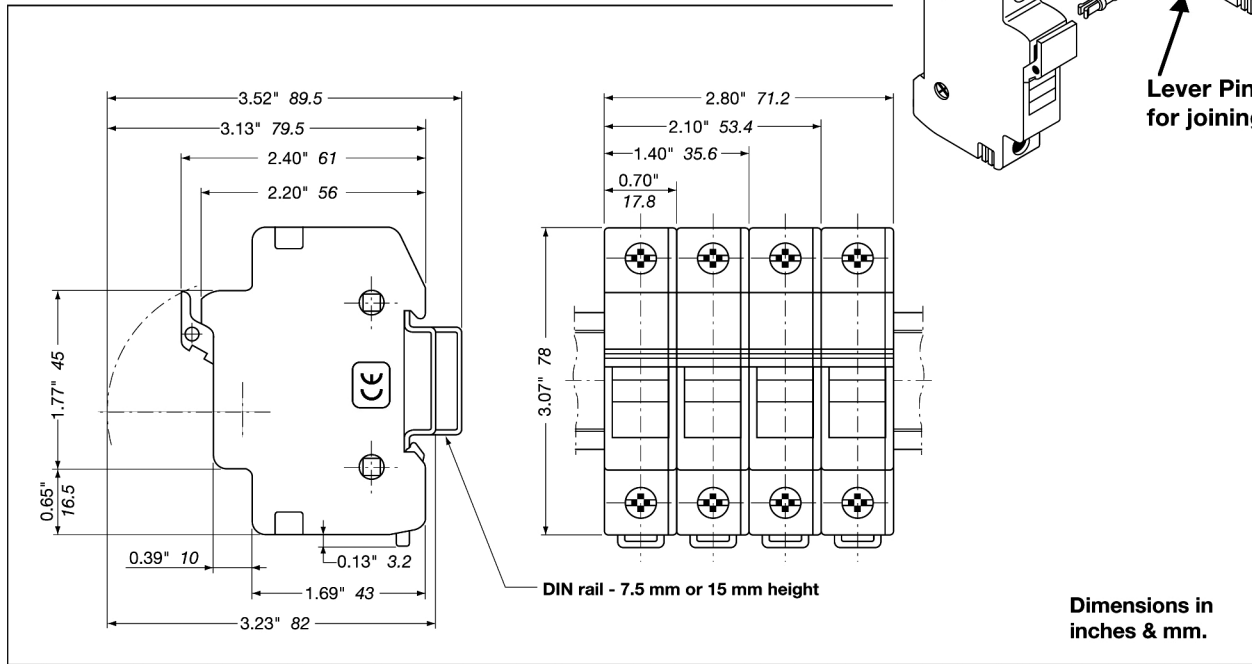
E-Rail offers a complete line of competitively priced DIN Rail Mount Fuse Holders. Manufactured to the level of quality you expect, our fuse holders are available for both midget (13/32 x 1-1/2") and class cc rejection fuses. All are RoHS compliant.

**Toll-Free 888.222.9570 FAX 773.442.0135**

**[www.dinmountingrail.com](http://www.dinmountingrail.com)**



## Dimensions and Assembly Diagrams:



## Technical Specifications:

### Mechanical

Nominal wire size:	10AWG (6mm <sup>2</sup> ) solid or stranded wire
Connection:	Screw compression clamp
Tightening torque:	Nominal 13.6 lb. in. flat or Philips head screwdriver
Contacts:	Electrolytic silver plated copper
Body material:	Self-extinguishing, UL V0. thermoplastic polyester, highly temperature resistant
Mounting:	Snap-on to symmetrical DIN rail; isolated from rail

### Electrical

Rated voltage, max.	600 VAC
Rated current, max.	30A
Blown fuse indicator:	Neon, on when fuse blows
Operating voltage:	120/600 VAC
Leakage current through neon indicator:	
at 120 VAC:	load connected, 0.5 mA approx.
at 220 VAC:	load connected, 0.6 mA approx.



Our fuse holders feature a front hinged lever cartridge for safe and convenient fuse insertion and replacement. These fuse holders snap easily onto 35mm symmetrical DIN rail, and any number of poles can be ganged together with the assembly accessories that can greatly reduce your inventory.

Replacement of the fuse requires no special tools, and order fuse holders with a neon indicator to quickly identify defective circuits and reduce downtime.

The unique design provides wide fuse contact surface and has electrolytic silver plated copper contacts to ensure minimal contact resistance and reliable operations.

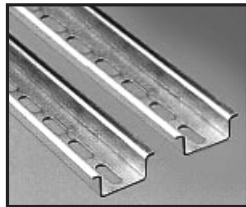
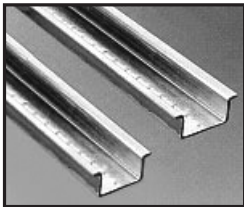
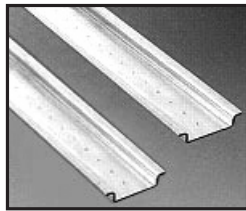
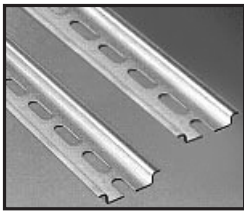
Accessories include snap-in ganging pins for body and lever, as well as dummy fuse links for creation of neutral poles.

### Ordering Information

Part Number	Description	Std. Pack
400.201	1 Pole Fuse Holder for Midget Fuses	12
400.202	2 Pole Fuse Holder for Midget Fuses	6
400.203	3 Pole Fuse Holder for Midget Fuses	4
400.211	1 Pole Fuse Holder for Midget Fuses with neon indicator	12
400.212	2 Pole Fuse Holder for Midget Fuses with neon indicator	6
400.213	3 Pole Fuse Holder for Midget Fuses with neon indicator	4
400.501	1 Pole Fuse Holder for CC Fuses	12
400.502	2 Pole Fuse Holder for CC Fuses	6
400.503	3 Pole Fuse Holder for CC Fuses	4
400.511	1 Pole Fuse Holder for CC Fuses with neon indicator	12
400.512	2 Pole Fuse Holder for CC Fuses with neon indicator	6
400.513	3 Pole Fuse Holder for CC Fuses with neon indicator	4
400.095	Body Connector Clip (2 required per assembly)	12
400.096	Handle Lever Connector Pin (1 required per assembly)	12
450.091	Dummy Fuse Link	10

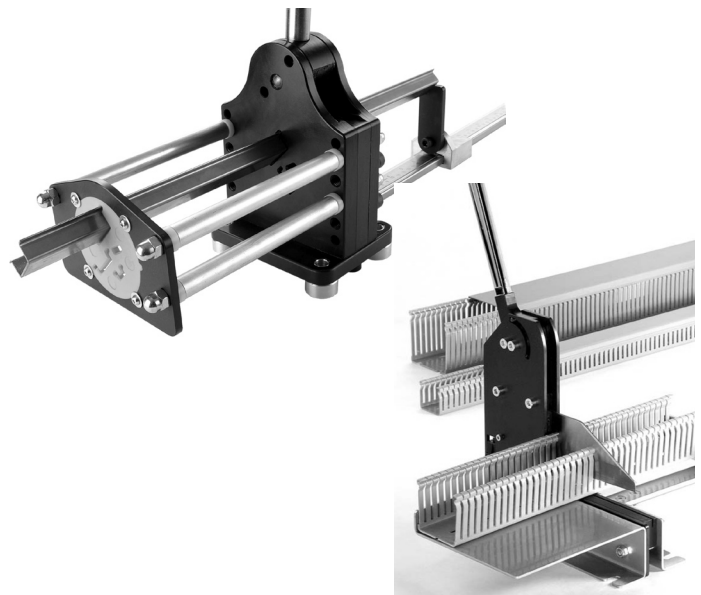
# E-Rail

## ALSO AVAILABLE



E-Rail offers a complete line of competitively priced DIN rail (DIN EN 50022, 50035, 50045). These rails are available in either aluminum or cold rolled steel (electrolytically plated according to 2002/95 EC RoHS Directive.)

With over ten different models available E-Rail provides the most complete line of competitively priced DIN rail & wire duct cutting tools . Our wide selection of tools are provided to meet any application or budget.



**Toll-Free 888.222.9570 FAX 773.442.0135**

**[www.dinmountingrail.com](http://www.dinmountingrail.com)**