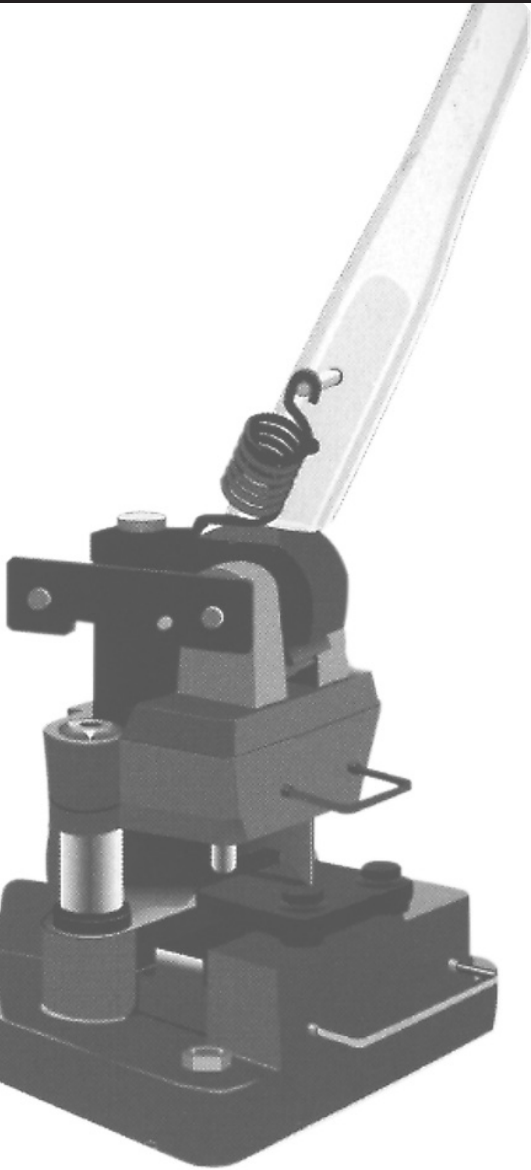




**E-
T-
O-
O-
S**



TYPE PDRC

Portable, economical and lightweight DIN rail cutter.

TYPE DCRP

Lightweight bench-mount multi-profile cutter/puncher.

TYPE ECM-400

Economical, medium duty, bench-mount multi-profile cutter

TYPE ALC-DUO

Economical, heavy duty dual-profile cutter

TYPE ALC-01

Heavy-duty, bench-mount, cutter/puncher with interchangeable dies.

TYPE ALC-02

A heavy-duty, easy to use, multi-profile (including high rise aluminum rail) rail cutter.

TYPE A3001

Heavy-duty, bench-mount multi-profile shear-type cutter/puncher.

TYPE GH

Heavy-duty, pneumatic, multi-die, cutter/puncher with high-speed one-stroke cutting and punching.

TYPE PWDC

A portable hand-held 60mm wire duct cutter.

TYPE VKS125

A heavy-duty, easy to use, high-precision bench-mount wire duct cutter.

E-Rail offers a complete line of competitively priced DIN rail & wire duct cutting tools.

Our wide selection of tools are provided to meet any application or budget.

Call or visit our web site today to find out more about our DIN rail cutting tools.

Toll-Free 888.222.9570 FAX 773.442.0135

www.dinmountingrail.com

TYPE PWDC

A portable hand-held 60mm wire duct cutter.

PART #500.101



TYPE VKS125

A heavy-duty, easy to use, high-precision bench-mount wire duct cutter.

- Safe accurate and easy to use.
- Provides a quick and burr-free cut for any size wire duct, including covers
- Comes standard with a measuring guide and end stop.

PART #530.100

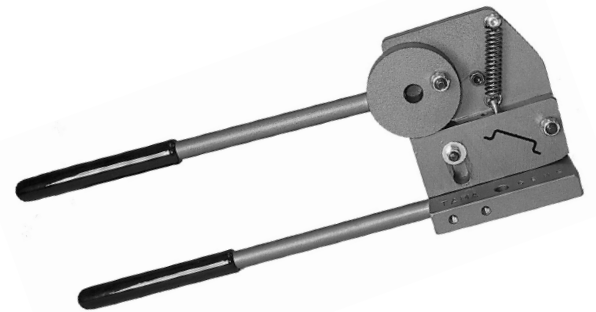


TYPE PDRC

Portable, economical and lightweight DIN rail cutter.

- Portable or bench mount.
- Small, Only 13.5" x 2.75" x 4.75"
- Easily cuts all steel 35 mm x 7.5 mm DIN rails.
- Easy to use and maintenance free.

PART #510.801



TYPE DCRP

Economical and lightweight bench-mount multi-profile cutter/puncher.

- Light weight industrial grade cutter/puncher
- Easy to use and maintenance free.
- Comes standard with a measuring guide and end stop.

PART #510.601



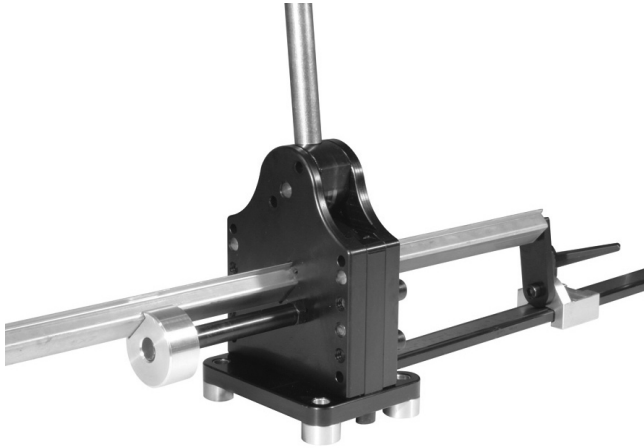


TYPE ECM-400

Economical, medium duty, bench-mount multi-profile cutter.

- Medium duty industrial grade cutter.
- Cuts the 15x5, 35x7.5, 35x15 mm DIN rail plus our 35 mm aluminum rail.
- Ruler and end stop available (additional charge).

PART #510.701



TYPE ACL-DUO

Economical, heavy duty dual-profile cutter.

- All inclusive dual-profile cutter.
- Cuts the two most popular (35 x 7.5 & 35 x 15 mm) DIN rails.
- Durable and long lasting (50,000+ cuts).
- Comes standard with ruler (inches & metric) and end stop.

PART #510.540



TYPE ALC-02

Economical, heavy duty dual-profile cutter.

- All inclusive, multi-profile cutter (no changing of dies).
- Durable and long lasting (50,000+ cuts).
- Comes standard with measuring guide (inches & metric) and end stop.
- Pneumatic version available.

PART #510.520

cuts 35 x 7.5 mm, 35 x 15 mm,

Hi-rise aluminum rail (part #111.044/045)

PART # 510.530

cuts 15 x 5 mm, 35 x 7.5 mm, 35 x 15 mm.



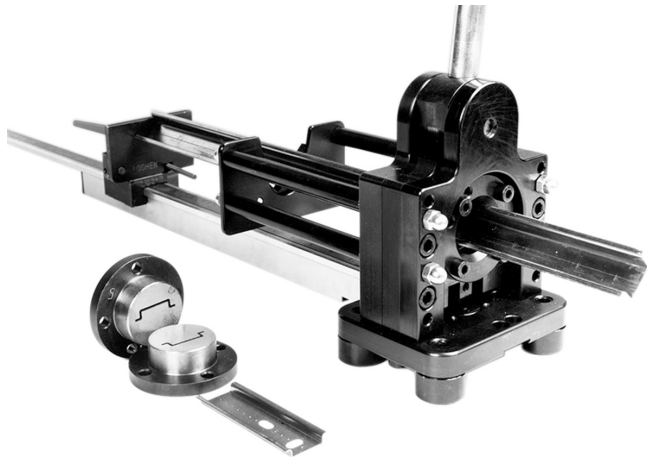
TYPE A3001

Heavy-duty, bench-mount multi-profile shear-type cutter/puncher.

- All inclusive, multi-profile cutter/puncher (no changing of dies).
- Cuts and punches all four standard DIN rails.
- Durable and long lasting (50,000+ cuts).
- Comes standard with measuring guide (inches & metric) and end stop.
- Pneumatic version available.

PART #510.501

E-Rail



TYPE ALC-01

Heavy-duty, bench-mount, cutter/puncher with interchangeable dies.

- Dies available for all four standard DIN Rails.
- Custom made dies available.
- Comes standard with one die of your choice.
- Comes standard with measuring guide (inches & metric) and end stop.
- Pneumatic version available.

PART #510.511



TYPE GH

Heavy-duty, pneumatic, multi-die, cutter/puncher with high-speed one-stroke cutting and punching.

- High-precision one-stroke pneumatic (5.5 bar min.) cutting and punching.
- Comes standard with mounting stand, pedal control and safety housing.
- Supplied with 1 blade and 2 standard 6.5 X 13 mm punches and a one meter measuring guide and rail stop.
- Dies available for all four standard DIN Rails.
- Manual bench-mount version available.

PART #510.320

Toll-Free 888.222.9570 FAX 773.442.0135

www.dinmountingrail.com